

MET 28 RGB+W Metal Spot

3,75
Watt



IP 43

CE

EMC

M

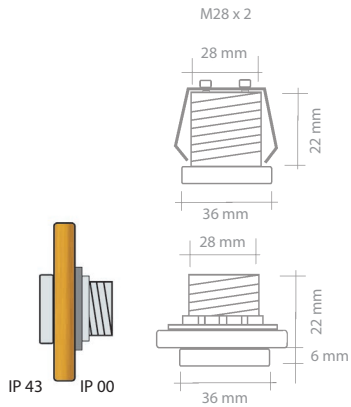
M

F

$t_a -10^{\circ} \div +40^{\circ}C$



III



Part Number	Colour	Lumen	Beam	I (typ)	V (typ)	W (typ)	Ø
A40MET284W00	RGB+W 3000K	388**	Wide 40°	4x350mA	3V	3,75W	36 mm
A40MET284M00	RGB+W 3000K	388**	Medium 25°	4x350mA	3V	3,75W	36 mm

** 80 (R) 155 (G) 23 (B) + 130 (WH)

ALIMENTATORE SUGGERITO:

RECOMMENDED DRIVER:



Codice/Code: **A40RGBOX435B**
 RGBW Led Driver 350mA
 Page: 201

Spot a LED di potenza RGB+W - 3 x 350mA

- Led RGBW
- Si monta in un foro Ø 28mm. Fissaggio con ghiera o a pressione con molla.
- Fornito con cavi da 50 cm FEP
- Lente sigillata con guarnizione anti-vapore
- Luce Bianca 130 lm (rosso 80lm, verde 155lm, blu 130lm)

High Brightness RGB+W LED spot - 3 x 350mA

- RGBW Led
- Assembly into a Ø 28mm hole. Fixing by ring nut or by a pressure spring.
- Supplied with 0,5 m cables FEP
- The optic is sealed by a steamproof gasket
- White color 130 lm (Red 80lm, green 155lm, Blue 231lm)

