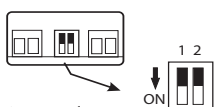
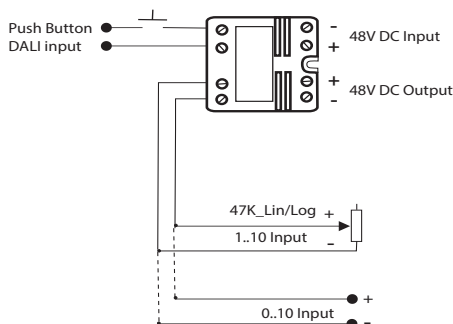


Part Number	Input V	Ouput I max	Ouput V max	W	Dimensions A x B x C	Protocol
A40DACUBE48N	48V	7A	Vin-0,5V	30-336W	41 x 47 x 20	DALI/0-10V/1-10V/PUSH



input selector

1	2	Mode
OFF	OFF	DALI/Push 230V
OFF	ON	Push 48V
ON	OFF	0-10V
ON	ON	1-10V



Datasheet download

Interfaccia DALI/0-10V/1-10V e PUSH

- Comando DALI, pulsante, 0-10V, 1-10V o potenziometro, selezionabile tramite impostazione dip-switches.
- Alimentazione: 48V/DC
- Ingresso PUSH/DALI isolato
- Protezione al corto-circuito
- Comanda carichi resistivi fino a 7A
- Uscita PWM 250Hz

DALI/0-10V/1-10V interface and push

- Dimming control by DALI, PUSH, 0-10V, 1-10V signal or potentiometer, selecting the dipswitch combination on board.
- Input: 48V/DC
- Isolated PUSH/DALI input
- Short-circuit protection
- For resistive loads up to 7A
- PWM 250Hz output



